



kitchen think

Instructions for Installation and Use

Electric Hood Models HE91 and HE61

To the Installer

Before installation fill in the product details on the back cover of this book.
The information can be found on the rating plate.

To the User

You must read the instructions prior to installing and using the appliance and
then retain them for future reference.

CONTENTS

RECOMMENDATIONS AND SUGGESTIONS	3
INSTALLATION	4 - 8
ELECTRICAL CONNECTION	9
GETTING TO KNOW YOUR COOKER HOOD	10
CARE AND CLEANING	11-12
AFTER SALES SERVICE	14
GUARANTEE	15
KEY CONTACTS	Back Cover



CE marking certifies that this appliance conforms to the following EEC directives:-

- Low Voltage Equipment 72/23/EEC
- Electromagnetic Compatibility 89/336/EEC

Retention of this Instruction Book

This Instruction Book must be kept handy for reference as it contains important details on the safe and proper use of the appliance.

If you sell or pass the appliance to someone else, or move house and leave it behind, make sure this Book is also provided so the new owner can become familiar with the appliance and safety warnings.

If the Book is lost or damaged a copy may be obtained from:
GDA LTD., Morley Way, Peterborough, PE2 9JB

RECOMMENDATIONS AND SUGGESTIONS

Using your new Cooker Hood is very simple. Nevertheless, to get the best results it is important that you read this manual thoroughly before installing and using your appliance for the first time.

INSTALLATION

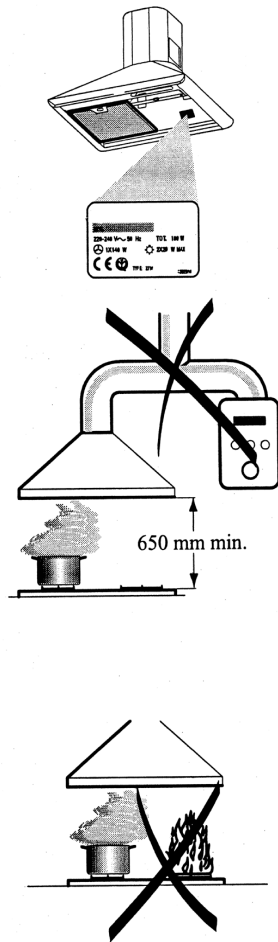
- All installation and repairs should be carried out by a qualified technician in accordance to regulations in force.
- The manufacturer will not be held liable for any damage resulting from incorrect or improper installation.
- After having removed the packaging, check the condition of the appliance, if in any doubt, do not use and contact Hotpoint Service (see Key Contacts, back page).
- The minimum safety distance between the hob and the extractor hood is 650 mm.
- Check that the mains voltage corresponds to that indicated on the rating plate fixed to the inside of the hood.
- Connect the extractor to the exhaust flue through a pipe of minimum diameter 120 mm. The route of the flue must be as short as possible.
- Do not connect the extractor hood to exhaust ducts carrying combustion fumes (boilers, fireplaces, etc.).
- If the extractor is used in conjunction with non-electrical appliances (e.g. gas burning appliances), a sufficient degree of ventilation must be guaranteed in the room in order to prevent the backflow of exhaust gas. The kitchen must have a suitable vent to the outside of the building, so that clear fresh air can circulate through the kitchen.

USE

- The extractor hood has been designed exclusively for domestic use to eliminate kitchen smells.
- Never use the hood for purposes other than for which it has been designed.
- Never leave high naked flames under the hood when it is in operation.
- Adjust the flame intensity to direct it onto the bottom of the pan only, making sure that it does not engulf the sides.
- Deep fat fryers must be continuously monitored during use: overheated oil can burst into flames.
- When frying, never leave the pan unattended.
- The hood should not be used by children or persons not instructed in its correct use.

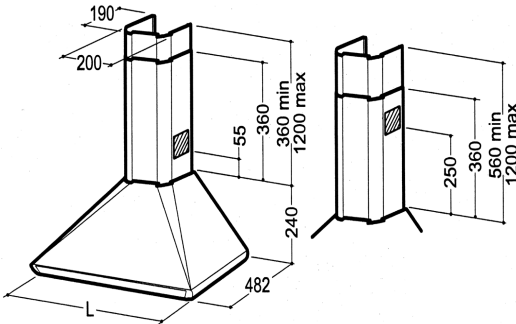
MAINTENANCE

- Switch off and unplug the appliance from the mains supply before carrying out any cleaning or maintenance work.
- Clean regularly (see Care and Cleaning section), build up of dirt and grease could cause a fire hazard.



INSTALLATION

Dimensions



Hood Type	60	90
L	598	898

Technical Characteristics

Basic Hood

Supply Voltage 220-240V

Supply Frequency 50Hz

Insulation Class IInd

Weight 12kg

Motor	Qty	Power
-------	-----	-------

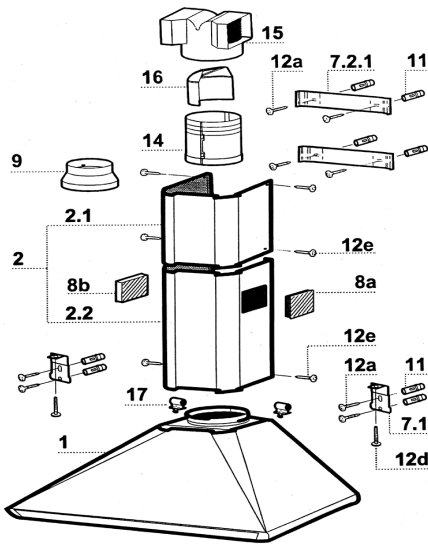
6/40K-A	1	150W
---------	---	------

6/50K-A	1	190W
---------	---	------

8BS/28K-A-P	1	205W
-------------	---	------

INSTALLATION

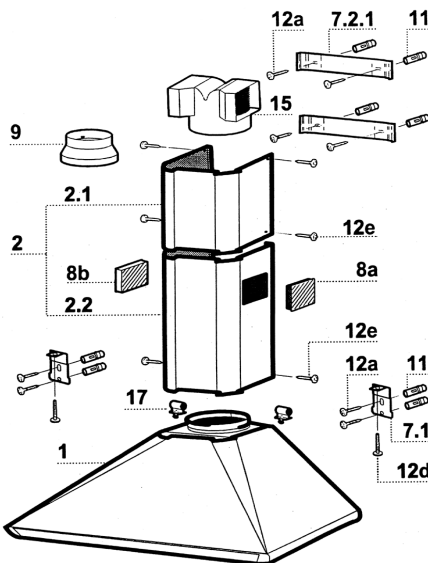
Components



Ref.	Qty	Ducted Version
1	1	Hood Body, complete with: Controls, Light, Blower, Filters
2	1	Telescopic Chimney comprising:
2.1	1	Upper Section
2.2	1	Lower Section
7.1	2	Hood Body Fixing Brackets
7.2.1	2	Upper Chimney Section Fixing Brackets
8a	1	Right Air Outlet Grill
8b	1	Left Air Outlet Grill
9	1	Reducer Flange \varnothing 150-120 mm
11	8	Wall Plugs
12a	8	Screws 4.2 x 44,4
12d	2	Screws M4 x 25
12e	6	Screws 2.9 x 9.5
14	1	Hood Body Air Outlet Extension Piece consisting of two half shells
15	1	Air Outlet Connection
16	1	Air Outlet Deflector
17	2	Lower Chimney Fixing Bush

Qty Documentation

1	Instruction Manual
---	--------------------



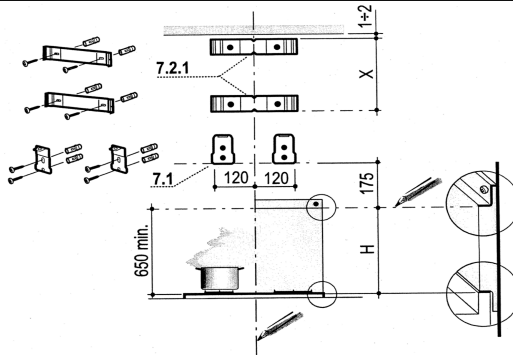
Ref.	Qty	Recirculation or Ducted Version
1	1	Hood Body, complete with: Controls, Light, Blower, Filters
2	1	Telescopic Chimney comprising:
2.1	1	Upper Section
2.2	1	Lower Section
7.1	2	Hood Body Fixing Brackets
7.2.1	2	Upper Chimney Section Fixing Brackets
8a	1	Right Air Outlet Grill
8b	1	Left Air Outlet Grill
9	1	Reducer Flange \varnothing 150-120 mm
11	8	Wall Plugs
12a	8	Screws 4.2 x 44,4
12d	2	Screws M4 x 25
12e	6	Screws 2.9 x 9.5
15	1	Air Outlet Connection
117	2	Lower Chimney Fixing Bush

Qty Documentation

1	Instruction Manual
---	--------------------

INSTALLATION

Wall drilling and bracket fixing



Wall marking:

- Draw a vertical line on the supporting wall up to the ceiling, or as high as practical, at the centre of the area in which the hood will be installed.
- Draw a horizontal line at 650 mm above the hob for installation without the back panel, or at height H (height of the visible part of the panel) for installation with the back panel (see diagram above).
- Place bracket **7.2.1** on the wall as shown about 1-2 mm from the ceiling or upper limit aligning the centre (notch) with the vertical reference line.
- Mark the wall at the centres of the holes in the bracket.
- Place bracket **7.2.1** on the wall as shown at X mm below the first bracket (X = height of the upper chimney section supplied), aligning the centre (notch) with the vertical line.
- Mark the wall at the centres of the holes in the bracket.
- Place bracket **7.2.1** as shown 120mm from the vertical reference line and 175mm above the horizontal reference line.
- Mark the centres of the holes in the bracket.
- Repeat this operation on the other side.

Rear Panel (optional)

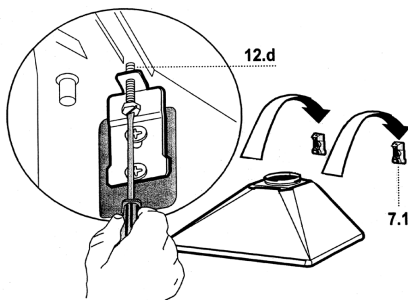
The rear panel must be fitted before fixing the hood body and if it is to be fixed at both top and bottom, must be fitted at the correct height prior to installing the bases. As this operation is rather complex, it should be carried out either by the kitchen installer or a qualified person who knows the final dimensions of the units.

For fixing at the top only, proceed as follows:

- Rest the back panel on the base, inserting the lower plate between the upper surface and the wall, centring it on the vertical reference line.
- Mark the centres of the two holes in the upper plate.
- Drill \varnothing 8 mm holes at all the centre points marked.
- Insert the wall plugs **11** in the holes.
- Fix the brackets using the **12a** screws supplied.
- Fix the back panel (where present) using the **12a** screws supplied.

Mounting the hood body

- Screw the two screws **12d** supplied onto the brackets **7.1**
- Hook the hood body onto bracket **7.1**, centring it around the vertical line.
- Using the adjusting screws **12d** underneath the hood to level the hood body.

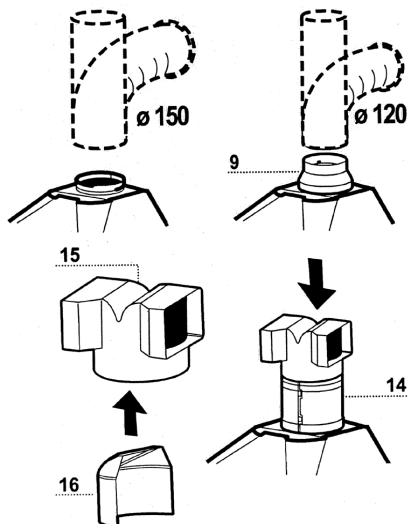


Connections

DUCTED VERSION AIR EXHAUST SYSTEM

When installing the ducted version, connect the hood to the chimney using either a flexible or rigid pipe \varnothing 150 or 120 mm, the choice of which is left to the installer.

- To install a \varnothing 120 mm air exhaust connection, insert the reducer flange **9** on the hood body outlet.
- Fix the pipe in position using sufficient pipe clamps (not supplied).
- Remove any activated charcoal filters.

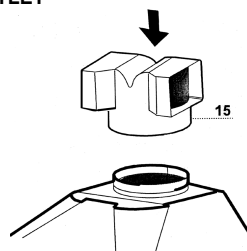


Side air exhaust on ducted version (connection to exhaust flue above wall cupboards).

- Assemble the half-shells of the hood body extension piece **14**.
- Push fit the assembled hood body extension **14** onto the air exhaust outlet.
- Insert the deflector **16** into the air exhaust fitting **15** to close off the unused outlet.
- Push fit connection piece **15** to the hood body extension piece **14**, ensuring that the free end matches up with the required opening in the chimney.
- Remove any activated charcoal filters.

RECIRCULATION VERSION AIR OUTLET

- Push fit the air outlet fitting **15** onto the air outlet of the hood body.
- The air outlet directional grills must be fitted after the lower outlet duct has been installed.
- Ensure that the activated charcoal filters have been inserted.



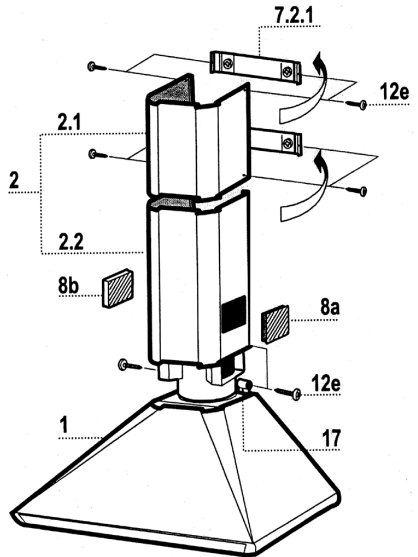
Chimney assembly

Upper chimney section

- Slightly widen the two sides of the upper chimney and hook them behind the brackets **7.2.1**, making sure that they are properly housed.
- Secure the sides to the brackets using the 4 screws **12e** supplied.

Lower chimney section

- Insert the lower chimney fixing bush **17** in the top of the hood body and rotate it 90° clockwise as far as it will go.
- Slightly widen the two sides of the chimney and hook them between the upper chimney section and the wall, making sure that they are properly housed.
- Secure the sides of the bottom section to the bushes provided using the 2 screws **12e** supplied.
- When installing the recirculation version, fit the directional grills **8a-8b** in their housing so that the directional symbols are at the top and towards the front of the hood. Ensure that they are inserted correctly in the outlet connection piece **15**.



Electrical Connection

WARNING: This appliance MUST be earthed. Connect to a 230 - 240V A.C. Supply only.

- Connection to the electricity supply should be made via a properly earthed, readily accessible wall socket which is adjacent to and not more than 1.25m away from the appliance and capable of electrical isolation.

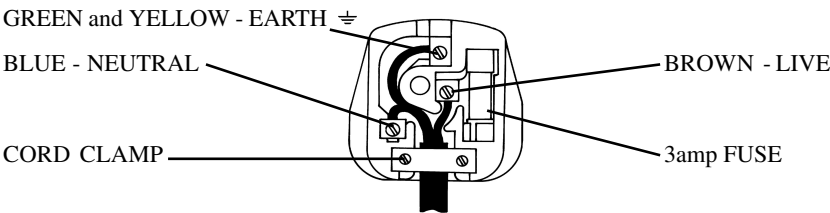
Should this plug not fit the socket outlet in your home it should be cut off and replaced with a suitable plug as outlined below.

Note: The removed plug cannot be used for any other appliance and should therefore be properly disposed of and not left where children might find it and plug it into a supply socket - with the obvious consequent danger.

IF THE FITTED PLUG IS REMOVED

The flexible mains lead must be correctly connected as below, to a three pin plug of not less than 13 amp capacity. If a B.S.1363 fused plug is used, it must be fitted with a 3amp fuse which is approved to B.S.1362.

IMPORTANT: The wires in the mains lead fitted to this appliance are coloured in accordance with the following code:



As the colours of the wires in the mains lead of this appliance may not correspond with the coloured markings identifying the terminals in your plug, proceed as follows:- The wire which is green and yellow must be connected to the terminal in the plug which is marked with the letter E or by the earth symbol \equiv or coloured green or green and yellow. The wire which is coloured blue must be connected to the terminal which is marked with the N or coloured black. The wire which is coloured brown must be connected to the terminal which is marked with the letter L or coloured red. When wiring the plug, ensure that all strands of wire are securely retained in each terminal. Do not forget to tighten the mains lead clamp on the plug. As the appliance must be earthed, **DO NOT use 2-pin socket outlets, if you are in doubt, consult a qualified electrician.**

Should the mains lead ever require replacement, it is essential that this operation be carried out by a qualified electrician and should only be replaced with a flexible cord of the same size ie. 0.75mm² cross sectional area and temperature rating of 85°C eg. heat resisting PVC.

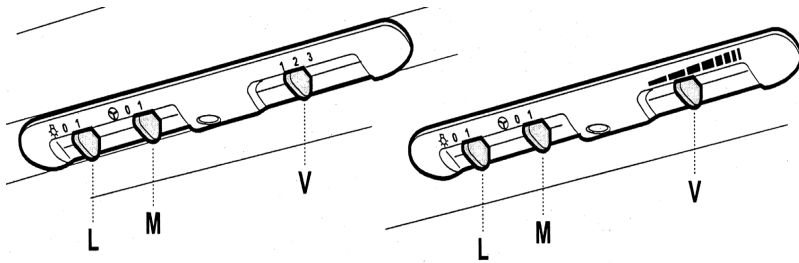
IF A MOULDED PLUG IS FITTED

In the event of replacing a fuse in the plug supplied a 3amp ASTA approved fuse to B.S.1362 must be fitted.

Note: The fuse cover must be refitted when changing the fuse. In the event of losing the fuse cover the plug must not be used until a replacement fuse cover has been obtained and fitted. A new fuse cover can be obtained from your local Electrical Retailer. The colour of the correct replacement fuse cover is that of the coloured marks or inserts in the base of the plug.

GETTING TO KNOW YOUR COOKER HOOD

The Controls



L Light Switches the lighting system on and off.

M Motor Switches the extractor motor on and off.

V Speed Sets the operating speed of the extractor:

1. Low Speed, used for a continuous and silent air change in the presence of light cooking vapour.
2. Medium Speed, suitable for most operating conditions.
3. Maximum Speed, used for eliminating the highest cooking vapour emission, including long periods.

L Light Switches the lighting system on and off.

M Motor Switches the extractor motor on and off.

V Speed Varies the operating speed of the extractor, from minimum - used for a continuous and silent air change in the presence of light cooking vapour, to maximum - used for eliminating the highest cooking vapour emission, including long periods.

WARNING: Children should not be allowed to play with the appliance or tamper with the controls.

CARE AND CLEANING

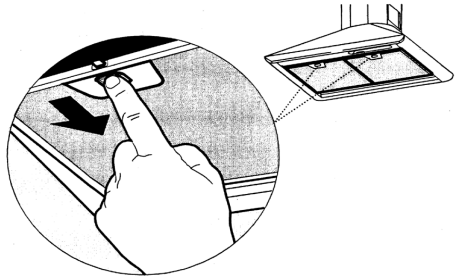
Before cleaning your cooker hood or carry out any maintenance, switch off and remove the plug from the socket to disconnect it from the electricity supply.

Grease Filters

CLEANING METAL SELF-SUPPORTING GREASE FILTERS

The filters must be cleaned every 2 months of operation, or more frequently with heavy usage, and can be washed in a dishwasher.

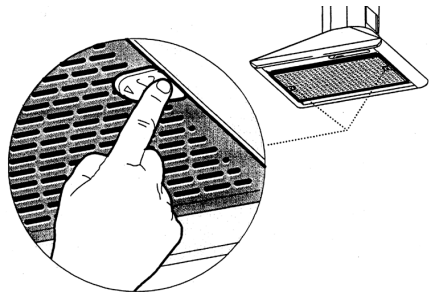
- Remove the filters one at a time by pushing them towards the back and pulling down at the same time.
- Wash the filters, taking care not to bend them. Allow them to dry before refitting.
- When refitting the filters, make sure that the handle is visible on the outside.



CLEANING MULTILAYER METAL GREASE FILTERS

The filters must be cleaned every 2 months of operation, or more frequently with heavy usage, and can be washed in a dishwasher.

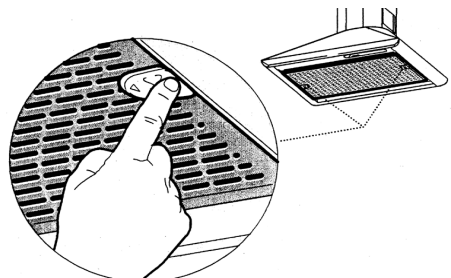
- Release the filter retaining grill using the lateral sliding handles.
- Remove the filter retaining clips.
- Remove and wash the filters. Allow them to dry before refitting.
- Replace the filters on the grill, fix them in position using the filter retaining clips and close the filter retaining grill.



REPLACING SYNTHETIC GREASE FILTERS

The filter is not washable, it must be replaced approximately every two months of use, or more frequently with heavy usage.

- Release the filter holder frame using the lateral sliding handles.
- Remove the filter retaining clips.
- Replace the saturated synthetic filter.
- Fix the new synthetic filter using the retaining clips and close the filter holder frame.

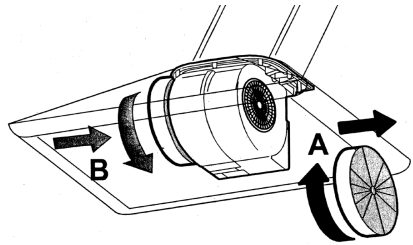


CARE AND CLEANING

CHARCOAL FILTER: REPLACING THE ACTIVATED CHARCOAL FILTER

The filters are not washable and must be replaced after every 4 months of operation, or more frequently with heavy usage.

- Remove the grease filters.
- Remove the saturated activated charcoal filters as shown (A).
- Dispose of the charcoal filters.
- Fit the new filters (B).
- Replace the grease filters.



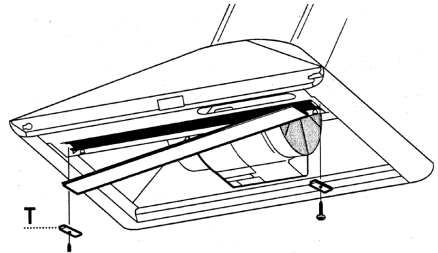
LIGHT REPLACEMENT

15W neon light

40W incandescent light

20W halogen light

- Remove the metal terminals **T** fixing the glass cover or the metal panel.
- Slide the glass cover or the metal panel to the right until the left hand end is free. Lower it slightly and slide it to the left to free it completely.
- Replace the light with a new one of the same type and rating.
- Replace the glass cover or the metal panel in the reverse order.



CLEANING

- Clean with a sponge soaked in warm water and a sodium bicarbonate solution, which is among other things a good disinfectant. If you do not have any, you can use a neutral soap.
- **DO NOT** use abrasive detergents, bleach or detergents using ammonia.
- **NEVER** use solvent based products.

Failure to carry out the basic standards of cleaning and replacement of the filters could cause a fire risk. Therefore you must observe these instructions.

NOTES



After Sales Service

"No company is better positioned to offer an after sales service on a Hotpoint appliance than us - the manufacturer"

As part of our commitment to you, all Hotpoint appliances have the added benefit of a fully inclusive parts and labour guarantee for the first 12 months. In addition to this you also have the advantage of **free replacement parts for the first 5 years** when fitted by a Hotpoint engineer. When the 12 months parts and labour guarantee expires we offer the following after sales service options:

Repair Service and Information Help Desk

UK: 08709 066066

www.theservicecentre.co.uk

Republic of Ireland: 1850 302 200

Note: Our operators will require the Model number and the Serial number of your appliance

Available 364 days a year with a fast, effective and value for money service. We have the largest white goods repair service in the UK with over 1200 of our own fully trained engineers.

All repairs include a parts and labour guarantee for 12 months from the date of the repair. If you require any information or have any questions about your appliance, our operators are on hand with help and advice.

All this ensures that you will receive the best available after sales service possible.

Extended Warranties

UK: 08709 088 088

www.theservicecentre.co.uk

Republic of Ireland: 1850 502 200

Whether you have just one or a number of Hotpoint appliances in your kitchen, we offer two service cover plans to give you total peace of mind.

- Repair Protection Plan - FREE service repairs for a single Hotpoint appliance during the period of cover.
- Kitchen Cover - FREE service repairs for all your Hotpoint appliances less than 8 years old.

Genuine Parts and Accessories

UK: 08709 077 077

www.theservicecentre.co.uk

Republic of Ireland: (01) 842 6836

A wide range of genuine parts and accessories are available from our hotline or through our website.

Genuine parts and accessories, extended warranties and service repairs are all available on our web-site at:



www.theservicecentre.co.uk



Guarantee

"Satisfaction guaranteed or your money back"

We give you a unique 'satisfaction guaranteed' promise - **valid for 90 days** - after you have purchased your Hotpoint appliance. If there is a technical problem simply call Hotpoint Repair service or visit our web-site at www.theservicecentre.co.uk and where necessary, we will arrange for an engineer to call. If the technical problem is not resolved under this guarantee, **we will replace your machine or, if you prefer, give you your money back.**

All Hotpoint appliances carry a fully inclusive 12 month parts and labour guarantee as well as free replacement parts for the first 5 years (except microwaves, selected integrated appliances and cooker hoods, which have a one year guarantee) provided that they are fitted by a Hotpoint engineer.

Guarantee terms and conditions

Your guarantee is only applicable in the United Kingdom or Republic of Ireland and is subject to the following provisions that your appliance:

- Has been installed and used correctly in accordance with this instruction booklet.
- Has been used solely for domestic purposes and is located on domestic premises (ie. not for commercial or trade use).
- Has been properly connected to a suitable electrical supply voltage as stated on the appliance rating plate.
- Has not been subject to misuse, accident, modified or repaired by anyone other than one of our own service engineers.



For pre purchase information on any other Hotpoint product call: 08701 50 60 70
or visit: www.hotpoint.co.uk



Recycling & Disposal Information

As part of Hotpoint's continued commitment to helping the environment, Hotpoint reserves the right to use quality recycled components to keep down customer costs and minimise material wastage.

Please dispose of packaging and old appliances carefully.

To minimise risk of injury to children, remove the plug and cut mains cable off flush with the appliance. Dispose of these parts separately to ensure that the appliance can no longer be plugged into a mains socket.



Key Contacts

After Sales Service

Over 1200 trained specialists, directly employed by us, ensure that you can have complete confidence in both the appliances and services we offer.



Repair Service and Information Desk

UK: 08709 066 066

(Open 8 to 8 Mon - Fri, 8 to 6 Sat, 10 to 4 Sun & Bank Holidays)

www.theservicecentre.co.uk

Republic of Ireland: 1850 302 200

Note: Our operators will require the following information:

Model number:

Serial number:

Extended Warranties

UK: 08709 088 088

(Open 8 to 8 Mon - Sun)

www.theservicecentre.co.uk

Republic of Ireland: 1850 502 200

Genuine Parts and Accessories

UK: 08709 077 077

(Open 8-30 to 5-30 Mon - Fri & 9 to 12 Sat)

www.theservicecentre.co.uk

Republic of Ireland: (01) 842 6836